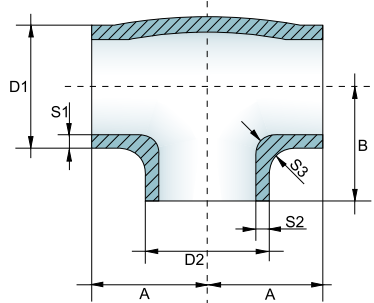




Tees
T-Stücke
nach ASME / ANSI B 16.9



| Outside Diameter Außendurchmesser | | Wall Thickness Wanddicke | Outside Diameter Außendurchmesser | | Wall Thickness Wanddicke | Identifi- cation Kenn- zeichnung | Center to End Run Mittel- abstand Durchgang | Center to End Branch Mittel- abstand Abgang | Kilos/Piece kg/Stück |
|--------------------------------------|-------|-----------------------------|--------------------------------------|--------|-----------------------------|---|---|---|-------------------------|
| Run / Durchgang | | | Branch / Abgang | | | | mm | mm | |
| inch | mm | mm | inch | mm | mm | | mm | | |
| D_1 | D_1 | S_1 | D_2 | D_2 | S_2 | | B | A | |
| 1/2" | 21,3 | 2,77 | 1/2" | 21,3 | 2,77 | STD | 25,4 | 25,4 | 0,11 |
| | | 3,73 | 1/2" | 21,3 | 3,73 | XS | | | 0,14 |
| | | 4,78 | 1/2" | 21,3 | 4,78 | SCH 160 | | | 0,30 |
| 3/4" | 26,7 | 2,87 | 3/4" | 26,7 | 2,87 | STD | 28,6 | 28,6 | 0,17 |
| | | 2,87 | 1/2" | 21,3 | 2,77 | STD | | | 0,20 |
| | | 3,91 | 3/4" | 26,7 | 3,91 | XS | | | 0,21 |
| | | 3,91 | 1/2" | 21,3 | 3,73 | XS | | | 0,20 |
| | | 5,56 | 3/4" | 26,7 | 5,56 | SCH 160 | | | 0,29 |
| 1" | 33,4 | 3,38 | 1" | 33,4 | 3,38 | STD | 38,1 | 38,1 | 0,29 |
| | | 3,38 | 3/4" | 26,7 | 2,87 | STD | | | 0,29 |
| | | 3,38 | 1/2" | 21,3 | 2,77 | STD | | | 0,29 |
| | | 4,55 | 1" | 33,4 | 4,55 | XS | | | 0,36 |
| | | 4,55 | 3/4" | 26,7 | 3,91 | XS | | | 0,36 |
| | | 4,55 | 1/2" | 21,3 | 3,73 | XS | | | 0,36 |
| | | 6,35 | 1" | 33,4 | 6,35 | SCH 160 | | | 0,45 |
| | | 6,35 | 3/4" | 26,7 | 5,56 | SCH 160 | | | 0,45 |
| | | 6,35 | 1/2" | 21,3 | 4,78 | SCH 160 | | | 0,47 |
| 1 1/4" | 42,2 | 9,09 | 1" | 33,4 | 9,09 | XXS | 47,6 | 47,6 | 0,65 |
| | | 9,09 | 3/4" | 26,7 | 7,82 | XXS | | | 0,65 |
| | | 3,56 | 1 1/4" | 42,2 | 3,56 | STD | | | 0,61 |
| | | 3,56 | 1" | 33,4 | 3,38 | STD | | | 0,53 |
| | | 3,56 | 3/4" | 26,7 | 2,87 | STD | | | 0,50 |
| | | 4,85 | 1 1/4" | 42,2 | 4,85 | XS | | | 0,74 |
| 1 1/2" | 48,3 | 3,68 | 1 1/4" | 42,2 | 3,56 | STD | 57,2 | 57,2 | 0,66 |
| | | 3,68 | 1" | 33,4 | 3,38 | STD | | | 0,63 |
| | | 3,68 | 3/4" | 26,7 | 2,87 | STD | | | 0,76 |
| | | 3,68 | 1/2" | 21,3 | 2,77 | STD | | | 0,76 |
| | | 5,08 | 1 1/2" | 48,3 | 5,08 | XS | | | 0,92 |
| | | 5,08 | 1 1/4" | 42,2 | 4,85 | XS | | | 0,92 |
| | 48,3 | 10,16 | 5,08 | 1" | 33,4 | 4,55 | XS | 0,92 | |
| | | | 5,08 | 3/4" | 26,7 | 3,91 | XS | 0,92 | |
| | | | 5,08 | 1/2" | 21,3 | 3,73 | XS | 0,92 | |
| | | | 7,14 | 1 1/2" | 48,3 | 7,14 | SCH 160 | 1,25 | |
| | | | 7,14 | 1 1/4" | 42,2 | 6,35 | SCH 160 | 1,25 | |
| | | | 7,14 | 1" | 33,4 | 6,35 | SCH 160 | 1,25 | |
| 48,3 | 10,16 | 7,14 | 3/4" | 26,7 | 5,56 | SCH 160 | 1,25 | | |
| | | 10,16 | 1 1/2" | 48,3 | 10,16 | XXS | 2,54 | | |
| | | | 1" | 33,4 | 9,09 | XXS | 2,54 | | |



Tees

T-Stücke

nach ASME / ANSI B 16.9

| Outside Diameter Außendurchmesser | | Wall Thickness Wanddicke | Outside Diameter Außendurchmesser | | Wall Thickness Wanddicke | Identifi- cation Kenn- zeichnung | Center to End Run Mittel- abstand Durchgang | Center to End Branch Mittel- abstand Abgang | Kilos/Piece kg/Stück |
|--------------------------------------|--------|-----------------------------|--------------------------------------|-------|-----------------------------|---|---|---|-------------------------|
| Run / Durchgang | | | Branch / Abgang | | | | mm | mm | |
| inch | mm | mm | inch | mm | mm | | | | |
| D_1 | D_1 | S_1 | D_2 | D_2 | S_2 | | B | A | |
| 2" | 60,3 | 3,91 | 2" | 60,3 | 3,91 | STD | 63,5 | 63,5 | 1,34 |
| | | | 1 1/2" | 48,3 | 3,68 | STD | 63,5 | 60,3 | 1,21 |
| | | | 1 1/4" | 42,2 | 3,56 | STD | 63,5 | 57,2 | 1,16 |
| | | | 1" | 33,4 | 3,38 | STD | 63,5 | 50,8 | 1,12 |
| | | 5,54 | 3/4" | 26,7 | 2,87 | STD | 63,5 | 44,5 | 1,10 |
| | | | 2" | 60,3 | 5,54 | XS | 63,5 | 63,5 | 1,69 |
| | | | 1 1/2" | 48,3 | 5,08 | XS | 63,5 | 60,3 | 1,54 |
| | | | 1 1/4" | 42,2 | 4,85 | XS | 63,5 | 57,2 | 1,48 |
| | | 8,74 | 1" | 33,4 | 4,55 | XS | 63,5 | 50,8 | 1,44 |
| | | | 3/4" | 26,7 | 3,91 | XS | 63,5 | 44,5 | 1,40 |
| | | | 2" | 60,3 | 8,74 | SCH 160 | 63,5 | 63,5 | 2,27 |
| | | | 1 1/2" | 48,3 | 7,14 | SCH 160 | 63,5 | 60,3 | 2,27 |
| | | 11,07 | 1" | 33,4 | 6,35 | SCH 160 | 63,5 | 50,8 | 1,25 |
| | | | 3/4" | 26,7 | 5,56 | SCH 160 | 63,5 | 44,5 | 1,04 |
| | | | 2" | 60,3 | 11,07 | XXS | 63,5 | 63,5 | 2,73 |
| | | | 1 1/2" | 48,3 | 10,16 | XXS | 63,5 | 60,3 | 2,73 |
| 2 1/2" | 73,0 | 5,16 | 2 1/2" | 73,0 | 5,16 | STD | 76,2 | 76,2 | 2,36 |
| | | | 2" | 60,3 | 3,91 | STD | 76,2 | 69,9 | 2,08 |
| | | | 1 1/2" | 48,3 | 3,68 | STD | 76,2 | 66,7 | 2,04 |
| | | | 1 1/4" | 42,4 | 3,56 | STD | 76,2 | 63,5 | 2,00 |
| | | 7,01 | 1" | 33,4 | 3,38 | STD | 76,2 | 57,2 | 2,00 |
| | | | 2 1/2" | 73,0 | 7,01 | XS | 76,2 | 76,2 | 2,92 |
| | | | 2" | 60,3 | 5,54 | XS | 76,2 | 69,9 | 2,80 |
| | | | 1 1/2" | 48,3 | 5,08 | XS | 76,2 | 66,7 | 2,70 |
| | | 9,52 | 1 1/4" | 42,4 | 4,85 | XS | 76,2 | 63,5 | 2,51 |
| | | | 1" | 33,4 | 4,55 | XS | 76,2 | 57,2 | 2,51 |
| | | | 2 1/2" | 73,0 | 9,52 | SCH 160 | 76,2 | 76,2 | 3,35 |
| | | | 2" | 60,3 | 8,74 | SCH 160 | 76,2 | 69,9 | 3,35 |
| | | 14,02 | 1 1/2" | 48,3 | 7,14 | SCH 160 | 76,2 | 66,7 | 3,35 |
| | | | 2 1/2" | 73,0 | 14,02 | XXS | 76,2 | 76,2 | 4,49 |
| | | | 2" | 60,3 | 11,07 | XXS | 76,2 | 69,9 | 4,49 |
| | | | 1 1/2" | 48,3 | 10,16 | XXS | 76,2 | 66,7 | 4,49 |
| 3" | 88,9 | 5,49 | 3" | 88,9 | 5,49 | STD | 85,7 | 85,7 | 3,37 |
| | | | 2 1/2" | 73,0 | 5,16 | STD | 85,7 | 82,6 | 3,09 |
| | | | 2" | 60,3 | 3,91 | STD | 85,7 | 76,2 | 2,95 |
| | | | 1 1/2" | 48,3 | 3,68 | STD | 85,7 | 73 | 2,92 |
| | | 7,62 | 1 1/4" | 42,4 | 3,56 | STD | 85,7 | 69,9 | 2,92 |
| | | | 1" | 33,4 | 3,38 | STD | 85,7 | 66,7 | 2,85 |
| | | | 3" | 88,9 | 7,62 | XS | 85,7 | 85,7 | 4,29 |
| | | | 2 1/2" | 73,0 | 7,01 | XS | 85,7 | 82,6 | 3,80 |
| | | 11,13 | 2" | 60,3 | 5,54 | XS | 85,7 | 76,2 | 3,79 |
| | | | 1 1/2" | 48,3 | 5,08 | XS | 85,7 | 73,0 | 3,80 |
| | | | 1 1/4" | 42,4 | 4,85 | XS | 85,7 | 69,9 | 3,80 |
| | | | 1" | 33,4 | 4,55 | XS | 85,7 | 66,7 | 3,80 |
| | | 15,24 | 3" | 88,9 | 11,13 | SCH 160 | 85,7 | 85,7 | 5,50 |
| | | | 2 1/2" | 73,0 | 9,52 | SCH 160 | 85,7 | 82,6 | 5,50 |
| | | | 2" | 60,3 | 8,74 | SCH 160 | 85,7 | 76,2 | 5,50 |
| | | | 1 1/2" | 48,3 | 7,14 | SCH 160 | 85,7 | 73,0 | 5,75 |
| 15,24 | 3" | 88,9 | 15,24 | XXS | 85,7 | 85,7 | 7,50 | | |
| | 2 1/2" | 73,0 | 14,02 | XXS | 85,7 | 82,6 | 7,50 | | |
| | 2" | 60,3 | 11,07 | XXS | 85,7 | 76,2 | 7,50 | | |
| | 1 1/2" | 48,3 | 10,16 | XXS | 85,7 | 73,0 | 6,30 | | |



Tees

T-Stücke

nach ASME / ANSI B 16.9

| Outside Diameter Außendurchmesser | | Wall Thickness Wanddicke | Outside Diameter Außendurchmesser | | Wall Thickness Wanddicke | Identifica- tion Kenn- zeichnung | Center to End Run Mittel- abstand Durchgang | Center to End Branch Mittel- abstand Abgang | Kilos/Piece kg/Stück |
|--------------------------------------|----------------------|-----------------------------|--------------------------------------|----------------------|-----------------------------|---|---|---|-------------------------|
| Run / Durchgang | | | Branch / Abgang | | | | mm | mm | |
| inch | mm | mm | inch | mm | mm | | B | A | |
| <i>D₁</i> | <i>D₁</i> | <i>S₁</i> | <i>D₂</i> | <i>D₂</i> | <i>S₂</i> | | | | |
| 4" | 114,3 | 6,02 | 4" | 114,3 | 6,02 | STD | 104,8 | 104,8 | 5,72 |
| | | | 3" | 88,9 | 5,49 | STD | 104,8 | 98,4 | 5,17 |
| | | | 2 1/2" | 73,0 | 5,16 | STD | 104,8 | 95,3 | 5,13 |
| | | | 2" | 60,3 | 3,91 | STD | 104,8 | 88,9 | 4,99 |
| | | | 1 1/2" | 48,3 | 3,68 | STD | 104,8 | 85,7 | 4,94 |
| | | 8,56 | 4" | 114,3 | 8,56 | XS | 104,8 | 104,8 | 7,44 |
| | | | 3" | 88,9 | 7,62 | XS | 104,8 | 98,4 | 6,80 |
| | | | 2 1/2" | 73,0 | 7,01 | XS | 104,8 | 95,3 | 6,67 |
| | | | 2" | 60,3 | 5,54 | XS | 104,8 | 88,9 | 6,58 |
| | | | 1 1/2" | 48,3 | 5,08 | XS | 104,8 | 85,7 | 6,53 |
| | | 13,49 | 4" | 114,3 | 13,49 | SCH 160 | 104,8 | 104,8 | 15,90 |
| | | | 3" | 88,9 | 11,13 | SCH 160 | 104,8 | 98,4 | 15,90 |
| 2" | 60,3 | | 8,74 | SCH 160 | 104,8 | 88,9 | 10,75 | | |
| 1 1/2" | 48,3 | | 7,12 | XXS | 104,8 | 104,8 | 17,00 | | |
| 5" | 141,3 | 6,55 | 5" | 141,3 | 6,55 | STD | 123,8 | 123,8 | 8,98 |
| | | | 4" | 114,3 | 6,02 | STD | 123,8 | 117,5 | 8,21 |
| | | | 3" | 88,9 | 5,49 | STD | 123,8 | 111,1 | 7,98 |
| | | | 2 1/2" | 73,0 | 5,16 | STD | 12,8 | 108 | 7,89 |
| | | | 2" | 60,3 | 3,91 | STD | 123,8 | 123,8 | 7,80 |
| | | 9,52 | 5" | 141,3 | 9,52 | XS | 123,8 | 123,8 | 12,00 |
| | | | 4" | 114,3 | 8,56 | XS | 123,8 | 117,5 | 11,00 |
| | | | 3" | 88,9 | 7,62 | XS | 123,8 | 111,1 | 10,75 |
| | | | 2 1/2" | 73,0 | 7,01 | XS | 123,8 | 108,0 | 10,70 |
| | | | 2" | 60,3 | 5,54 | XS | 123,8 | 104,8 | 10,60 |
| | | 15,88 | 5" | 141,3 | 15,88 | SCH 160 | 123,8 | 123,8 | 23,00 |
| | | 19,05 | 5" | 141,3 | 19,05 | XXS | 123,8 | 123,8 | 26,20 |
| 6" | 168,3 | 7,11 | 6" | 168,3 | 7,11 | STD | 142,9 | 142,9 | 13,30 |
| | | | 5" | 141,3 | 6,55 | STD | 142,9 | 136,5 | 12,10 |
| | | | 4" | 114,3 | 6,02 | STD | 142,9 | 130,2 | 11,90 |
| | | | 3" | 88,9 | 5,49 | STD | 142,9 | 123,8 | 11,70 |
| | | | 2 1/2" | 73,0 | 5,16 | STD | 142,9 | 120,7 | 11,70 |
| | | 10,97 | 6" | 168,3 | 10,97 | XS | 142,9 | 142,9 | 19,10 |
| | | | 5" | 141,3 | 9,52 | XS | 142,9 | 136,5 | 17,10 |
| | | | 4" | 114,3 | 8,56 | XS | 142,9 | 130,2 | 16,90 |
| | | | 3" | 88,9 | 7,62 | XS | 142,9 | 123,8 | 16,70 |
| | | | 2 1/2" | 73,0 | 7,01 | XS | 142,9 | 120,7 | 16,70 |
| | | 14,27 | 6" | 168,3 | 14,27 | SCH 120 | 142,9 | 142,9 | 24,00 |
| | | 18,26 | 6" | 168,3 | 18,26 | SCH 160 | 142,9 | 142,9 | 38,00 |
| 21,95 | 6" | 168,3 | 21,95 | XXS | 142,9 | 142,9 | 39,50 | | |
| 8" | 219,1 | 6,35 | 8" | 219,1 | 6,35 | SCH 20 | 177,8 | 177,8 | 23,00 |
| | | | 8" | 219,1 | 8,18 | STD | 177,8 | 177,8 | 24,40 |
| | | | 6" | 168,3 | 7,11 | STD | 177,8 | 168,3 | 22,10 |
| | | | 5" | 141,3 | 6,55 | STD | 177,8 | 161,9 | 21,80 |
| | | | 4" | 114,3 | 6,02 | STD | 177,8 | 155,6 | 21,70 |
| | | 10,31 | 3" | 88,9 | 5,49 | STD | 177,8 | 152,4 | 21,00 |
| | | | 8" | 219,1 | 10,31 | SCH 60 | 177,8 | 177,8 | 31,75 |
| | | | 8" | 219,1 | 12,70 | XS | 177,8 | 177,8 | 34,70 |
| | | | 6" | 168,3 | 10,97 | XS | 177,8 | 168,3 | 31,90 |
| | | | 5" | 141,3 | 9,52 | XS | 177,8 | 161,9 | 31,50 |
| | | 12,70 | 4" | 114,3 | 8,56 | XS | 177,8 | 155,6 | 33,00 |
| | | | 3" | 88,9 | 7,62 | XS | 177,8 | 152,4 | 31,30 |
| 8" | 219,1 | | 18,26 | SCH 120 | 177,8 | 177,8 | 49,50 | | |
| 23,01 | 8" | | 219,1 | 23,01 | SCH 160 | 177,8 | 177,8 | 52,00 | |
| 10" | 273,0 | 9,27 | 10" | 273,0 | 9,27 | STD | 215,9 | 215,9 | 41,50 |
| | | | 8" | 219,1 | 8,18 | STD | 215,9 | 203,2 | 37,60 |
| | | | 6" | 168,3 | 7,11 | STD | 215,9 | 193,7 | 37,10 |
| | | | 5" | 141,3 | 6,55 | STD | 215,9 | 190,5 | 36,90 |
| | | | 4" | 114,3 | 6,02 | STD | 215,9 | 184,2 | 36,90 |



| Tees | | | | | | | | | |
|--------------------------------------|-------|-----------------------------|--------------------------------------|---------|-----------------------------|---|---|---|-------------------------|
| T-Stücke | | | | | | | | | |
| nach ASME / ANSI B 16.9 | | | | | | | | | |
| Outside Diameter Außendurchmesser | | Wall Thickness Wanddicke | Outside Diameter Außendurchmesser | | Wall Thickness Wanddicke | Identifi- cation Kenn- zeichnung | Center to End Run Mittel- abstand Durchgang | Center to End Branch Mittel- abstand Abgang | Kilos/Piece kg/Stück |
| Run / Durchgang | | mm | Branch / Abgang | | mm | | mm | mm | |
| inch | mm | | inch | mm | | | | | |
| D_1 | D_1 | S_1 | D_2 | D_2 | S_2 | | B | A | |
| 10" | 273,0 | 12,70 | 8" | 219,1 | 12,70 | XS | 215,9 | 203,2 | 49,40 |
| | | | 6" | 168,3 | 10,97 | XS | 215,9 | 193,7 | 49,00 |
| | | | 5" | 141,3 | 9,52 | XS | 215,9 | 190,5 | 48,10 |
| | | | 4" | 114,3 | 8,56 | XS | 215,9 | 184,2 | 48,10 |
| | | 15,09 | 10" | 273,0 | 15,09 | SCH 80 | 215,9 | 215,9 | 73,10 |
| | | | 8" | 219,1 | 12,70 | SCH 80 | 215,9 | 203,2 | 65,80 |
| | | 21,44 | 10" | 273,0 | 21,44 | SCH 120 | 215,9 | 215,9 | 93,00 |
| | | | 6" | 168,3 | 14,27 | SCH 120 | 215,9 | 193,7 | 81,70 |
| | | 15,09 | 10" | 273,0 | 15,09 | SCH 80 | 215,9 | 215,9 | 73,10 |
| | | | 8" | 219,1 | 12,7 | SCH 80 | 215,9 | 203,2 | 65,80 |
| | | 21,44 | 10" | 273,0 | 21,44 | SCH 120 | 215,9 | 215,9 | 93,00 |
| | | | 6" | 168,3 | 14,27 | SCH 120 | 215,9 | 193,7 | 81,70 |
| 12" | 323,8 | 9,52 | 12" | 323,8 | 9,52 | STD | 254,0 | 254,0 | 59,90 |
| | | | 10" | 273,0 | 9,27 | STD | 254,0 | 241,3 | 54,90 |
| | | | 8" | 219,1 | 8,18 | STD | 254,0 | 228,6 | 53,50 |
| | | | 6" | 168,3 | 7,11 | STD | 254,0 | 219,1 | 53,10 |
| | | | 5" | 141,3 | 6,55 | STD | 254,0 | 215,9 | 53,20 |
| | | 10,31 | 12" | 323,8 | 10,31 | SCH 40 | 254,0 | 254,0 | 70,50 |
| | | | 10" | 273,0 | 9,27 | SCH 40 | 254,0 | 241,3 | 67,20 |
| | | | 6" | 168,3 | 7,11 | SCH 40 | 254,0 | 219,1 | 65,00 |
| | | 12,70 | 12" | 323,9 | 12,7 | XS | 254,0 | 254,0 | 75,70 |
| | | | 10" | 273,0 | 12,7 | XS | 254,0 | 241,3 | 70,30 |
| | | | 8" | 219,1 | 12,7 | XS | 254,0 | 228,6 | 69,40 |
| | | | 6" | 168,3 | 10,97 | XS | 254,0 | 219,1 | 68,50 |
| | | 14,27 | 5" | 141,3 | 9,52 | XS | 254,0 | 215,9 | 68,50 |
| | | | 12" | 323,9 | 14,27 | SCH 60 | 254,0 | 254,0 | 95,00 |
| | | 17,48 | 12" | 323,9 | 17,48 | SCH 80 | 254,0 | 254,0 | 115,00 |
| | | 28,58 | 8" | 219,1 | 20,62 | SCH 140 | 254,0 | 228,6 | 140,25 |
| 33,32 | 8" | 219,1 | 23,01 | SCH 160 | 254,0 | 228,6 | 159,00 | | |
| | 6" | 168,3 | 18,26 | SCH 160 | 254,0 | 219,1 | 140,25 | | |
| 14" | 355,6 | 9,52 | 14" | 355,6 | 9,52 | STD | 279,4 | 279,4 | 72,10 |
| | | | 12" | 323,8 | 9,52 | STD | 279,4 | 269,2 | 66,70 |
| | | | 10" | 273,0 | 9,27 | STD | 279,4 | 257,2 | 65,30 |
| | | | 8" | 219,1 | 8,18 | STD | 279,4 | 247,7 | 64,90 |
| | | | 6" | 168,3 | 7,11 | STD | 279,4 | 238,1 | 64,40 |
| | | 12,70 | 14" | 355,6 | 12,70 | XS | 279,4 | 279,4 | 115,00 |
| | | | 12" | 323,9 | 12,70 | XS | 279,4 | 269,9 | 85,70 |
| | | | 10" | 273,0 | 12,70 | XS | 279,4 | 257,2 | 83,90 |
| | | 19,05 | 8" | 219,1 | 12,70 | XS | 279,4 | 247,7 | 83,50 |
| | | | 6" | 168,3 | 10,97 | XS | 279,4 | 238,1 | 83,00 |
| | | 14" | 355,6 | 19,05 | SCH 80 | 279,4 | 279,4 | 165,00 | |
| | | 16" | 406,4 | 9,52 | 16" | 406,4 | 9,52 | STD | 304,8 |
| 14" | 355,6 | | | | 9,52 | STD | 304,8 | 304,8 | 95,00 |
| 12" | 323,9 | | | | 9,52 | STD | 304,8 | 295,3 | 92,50 |
| 10" | 273,0 | | | | 9,27 | STD | 304,8 | 282,6 | 88,50 |
| 8" | 219,1 | | | | 8,18 | STD | 304,8 | 273,1 | 84,00 |
| 12,70 | 6" | | | 168,3 | 7,11 | STD | 304,8 | 263,4 | 79,80 |
| | 16" | | | 406,4 | 12,70 | XS | 304,8 | 304,8 | 122,00 |
| | 14" | | | 355,6 | 12,70 | XS | 304,8 | 304,8 | 118,00 |
| | 12" | | | 323,9 | 12,70 | XS | 304,8 | 295,3 | 111,00 |
| | 10" | | | 273,0 | 12,70 | XS | 304,8 | 282,6 | 111,00 |
| 16,66 | 8" | | | 219,1 | 12,70 | XS | 304,8 | 273,1 | 101,20 |
| | 6" | | | 168,3 | 10,97 | XS | 304,8 | 263,5 | 84,00 |
| 21,44 | 16" | | | 406,4 | 16,66 | SCH 60 | 304,8 | 304,8 | 206,50 |
| 36,53 | 16" | | | 406,4 | 21,44 | SCH 80 | 304,8 | 304,8 | 249,00 |
| | 16" | 406,4 | 36,53 | SCH 140 | 304,8 | 304,8 | 385,00 | | |
| 12" | 323,9 | 28,58 | SCH 140 | 304,8 | 295,3 | 340,00 | | | |



Tees

T-Stücke

nach ASME / ANSI B 16.9

| Outside Diameter Außendurchmesser | | Wall Thickness Wanddicke | Outside Diameter Außendurchmesser | | Wall Thickness Wanddicke | Identification Kennzeichnung | Center to End Run Mittelabstand Durchgang | Center to End Branch Mittelabstand Abgang | Kilos/Piece kg/Stück | | |
|--------------------------------------|-------|-----------------------------|--------------------------------------|-------|-----------------------------|---------------------------------|--|--|-------------------------|--------|--------|
| Run / Durchgang | | | Branch / Abgang | | | | mm | mm | | | |
| inch | mm | mm | inch | mm | mm | | mm | | | | |
| D_1 | D_1 | S_1 | D_2 | D_2 | S_2 | | B | A | | | |
| 18" | 457,2 | 9,52 | 16" | 406,4 | 9,52 | STD | 342,9 | 330,2 | 122,00 | | |
| | | | 14" | 355,6 | 9,52 | STD | 342,9 | 330,2 | 118,80 | | |
| | | | 12" | 323,8 | 9,52 | STD | 342,9 | 320,7 | 115,20 | | |
| | | | 10" | 273,0 | 9,27 | STD | 342,9 | 308,0 | 110,70 | | |
| | | 12,70 | 8" | 219,1 | 8,18 | 8,18 | STD | 342,9 | 298,5 | 104,80 | |
| | | | | 18" | 457,2 | 12,7 | XS | 342,9 | 342,9 | 159,00 | |
| | | | | 16" | 406,4 | 12,7 | XS | 342,9 | 330,2 | 152,40 | |
| | | | | 14" | 355,6 | 12,7 | XS | 342,9 | 330,2 | 152,40 | |
| | | | 14,27 | 12" | 323,8 | 12,7 | 12,7 | XS | 342,9 | 320,7 | 145,10 |
| | | | | 10" | 273,0 | 12,7 | 12,7 | XS | 342,9 | 308,0 | 139,30 |
| | | | | 16" | 406,4 | 12,7 | 12,7 | SCH 40 | 342,9 | 330,2 | 237,45 |
| | | | | 18" | 457,2 | 19,05 | 19,05 | SCH 60 | 342,9 | 342,9 | 277,00 |
| | | | | 16" | 406,4 | 16,66 | 16,66 | SCH 60 | 342,9 | 330,2 | 256,50 |
| | | | | 23,83 | 18" | 457,2 | 23,83 | 23,83 | SCH 80 | 342,9 | 342,9 |
| 20" | 508,0 | 9,52 | 20" | 508,0 | 9,52 | STD | 381,0 | 381,0 | 168,30 | | |
| | | | 18" | 457,2 | 9,52 | STD | 381,0 | 368,3 | 168,00 | | |
| | | | 16" | 406,4 | 9,52 | STD | 381,0 | 355,6 | 168,00 | | |
| | | | 14" | 355,6 | 9,52 | STD | 381,0 | 355,6 | 160,60 | | |
| | | | 12" | 323,9 | 9,52 | STD | 381,0 | 346,1 | 143,30 | | |
| | | | 10" | 273,0 | 9,27 | STD | 381,0 | 333,4 | 133,80 | | |
| | | | 8" | 219,1 | 8,18 | STD | 381,0 | 323,9 | 127,90 | | |
| | | | 12,7 | 20" | 508,0 | 12,7 | 12,7 | XS | 381,0 | 381,0 | 200,00 |
| | | 18" | | 457,2 | 12,7 | 12,7 | XS | 381,0 | 368,3 | 193,70 | |
| | | 16" | | 406,4 | 12,7 | 12,7 | XS | 381,0 | 355,6 | 187,00 | |
| | | 14" | | 355,6 | 12,7 | 12,7 | XS | 381,0 | 355,6 | 181,00 | |
| | | 12" | | 323,9 | 12,7 | 12,7 | XS | 381,0 | 346,1 | 176,90 | |
| | | 10" | | 273,0 | 12,7 | 12,7 | XS | 381,0 | 333,4 | 170,60 | |
| | | 8" | | 219,1 | 12,7 | 12,7 | XS | 381,0 | 323,9 | 163,70 | |
| | | 26,19 | | 20" | 508,0 | 26,19 | 26,19 | SCH 80 | 381,0 | 381,0 | 459,00 |
| | | | 18" | 457,2 | 23,83 | 23,83 | SCH 80 | 381,0 | 368,3 | 405,42 | |
| | | | 16" | 406,4 | 21,44 | 21,44 | SCH 80 | 381,0 | 355,6 | 350,50 | |
| | | | 14" | 355,6 | 19,05 | 19,05 | SCH 80 | 381,0 | 355,6 | 319,15 | |
| | | | 12" | 323,9 | 17,48 | 17,48 | SCH 80 | 381,0 | 346,1 | 319,15 | |
| | | | 10" | 273,0 | 15,09 | 15,09 | SCH 80 | 381,0 | 333,4 | 298,25 | |
| | | | 32,54 | 10" | 273,0 | 18,26 | 18,26 | SCH 100 | 381,0 | 246,1 | 420,00 |
| | | | 9,52 | 22" | 558,8 | 9,52 | 9,52 | STD | 419,0 | 419,0 | 198,20 |
| | | 22" | 558,8 | 12,70 | 22" | 558,8 | 12,7 | XS | 419,0 | 419,0 | 248,60 |
| | | | | | 16" | 406,4 | 12,7 | XS | 419,0 | 381,0 | 225,40 |
| 24" | 609,6 | 9,52 | 24" | 609,6 | 9,52 | STD | 431,8 | 431,8 | 223,60 | | |
| | | | 20" | 508,0 | 9,52 | STD | 431,8 | 431,8 | 206,00 | | |
| | | | 18" | 457,2 | 9,52 | STD | 431,8 | 419,1 | 205,50 | | |
| | | | 16" | 406,4 | 9,52 | STD | 431,8 | 406,4 | 196,40 | | |
| | | | 14" | 355,6 | 9,52 | STD | 431,8 | 406,4 | 190,10 | | |
| | | | 12" | 323,9 | 9,52 | STD | 431,8 | 396,9 | 185,50 | | |
| | | | 10" | 273,0 | 9,27 | STD | 431,8 | 384,2 | 178,70 | | |
| | | | 12,7 | 24" | 609,6 | 12,70 | 12,70 | XS | 431,8 | 431,8 | 275,00 |
| | | 20" | | 508,0 | 12,70 | 12,70 | XS | 431,8 | 431,8 | 260,80 | |
| | | 18" | | 457,2 | 12,70 | 12,70 | XS | 431,8 | 419,1 | 255,80 | |
| | | 16" | | 406,4 | 12,70 | 12,70 | XS | 431,8 | 406,4 | 246,80 | |
| | | 14" | | 355,6 | 12,70 | 12,70 | XS | 431,8 | 406,4 | 240,00 | |
| | | 12" | | 323,9 | 12,70 | 12,70 | XS | 431,8 | 396,9 | 235,00 | |
| | | 10" | | 273,0 | 12,70 | 12,70 | XS | 431,8 | 384,2 | 227,70 | |
| | | 14,27 | | 24" | 609,6 | 14,27 | 14,27 | SCH 30 | 431,8 | 431,8 | 373,00 |
| | | | 17,48 | 10" | 273,0 | 9,27 | 9,27 | SCH 40 | 431,8 | 384,2 | 367,80 |
| | | | 30,96 | 24" | 609,6 | 30,96 | 30,96 | SCH 80 | 431,8 | 431,8 | 748,00 |
| | | | | 20" | 508,0 | 26,19 | 26,19 | SCH 80 | 431,8 | 431,8 | 606,10 |
| | | 18" | | 457,2 | 23,83 | 23,83 | SCH 80 | 431,8 | 419,1 | 533,25 | |
| | | 10" | 273,0 | 15,09 | 15,09 | SCH 80 | 431,8 | 384,2 | 451,96 | | |