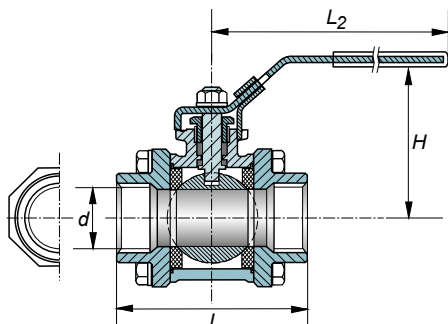




### 3-teiliger Muffenkugelhahn Three-Piece Ball Valve

mit vollem Durchgang, mit Handhebel mit zylindrischem (G) Whitworth-Rohrgewinde nach DIN 228



Edelstahl

| DN  | Gewinde<br>Kurzzeichen | Durchgang<br>Durchmesser | Länge | Höhe  | Handhebel      | Stückgewicht<br>kg |
|-----|------------------------|--------------------------|-------|-------|----------------|--------------------|
|     | G                      | d                        | L     | H     | L <sub>2</sub> |                    |
| 8   | 1/4"                   | 11,6                     | 65,0  | 51,0  | 103            | 0,370              |
| 10  | 3/8"                   | 12,7                     | 65,0  | 51,0  | 103            | 0,355              |
| 15  | 1/2"                   | 15,0                     | 72,0  | 54,0  | 103            | 0,414              |
| 20  | 3/4"                   | 20,0                     | 85,0  | 57,0  | 125            | 0,676              |
| 25  | 1"                     | 25,4                     | 91,9  | 66,0  | 145            | 1,033              |
| 32  | 1 1/4"                 | 32,0                     | 110,0 | 72,0  | 145            | 1,599              |
| 40  | 1 1/2"                 | 38,0                     | 122,0 | 81,5  | 190            | 2,246              |
| 50  | 2"                     | 50,8                     | 141,7 | 90,5  | 190            | 3,353              |
| 65  | 2 1/2"                 | 65,0                     | 173,8 | 138,5 | 250            | 7,025              |
| 80  | 3"                     | 76,0                     | 192,7 | 149,0 | 250            | 11,925             |
| 100 | 4"                     | 100,0                    | 274,1 | 176,5 | 288            | 21,260             |

### 3-Wege Muffenkugelhahn Three-Way Ball Valve

mit L-Bohrung, mit Handhebel mit zylindrischem (G) Whitworth-Rohrgewinde nach DIN 228

Edelstahl

| DN | Gewinde<br>Kurzzeichen | Durchgang<br>Durchmesser | Länge | Höhe | Handhebel      | Stückgewicht<br>kg |
|----|------------------------|--------------------------|-------|------|----------------|--------------------|
|    | G                      | d                        | L     | H    | L <sub>2</sub> |                    |
| 8  | 1/4"                   | 6,8                      | 64,0  | 58,0 | 64             | 0,539              |
| 10 | 3/8"                   | 6,8                      | 64,0  | 53,0 | 97             | 0,511              |
| 15 | 1/2"                   | 6,8                      | 64,0  | 53,0 | 97             | 0,685              |
| 20 | 3/4"                   | 10,5                     | 76,0  | 63,0 | 126            | 1,278              |
| 25 | 1"                     | 19,6                     | 87,0  | 66,0 | 126            | 1,654              |
| 32 | 1 1/4"                 | 26,6                     | 96,0  | 81,0 | 145            | 1,320              |
| 40 | 1 1/2"                 | 36,3                     | 124,0 | 83,0 | 145            | 3,700              |
| 50 | 2"                     | 50,0                     | 142,0 | 96,0 | 204            | 5,689              |