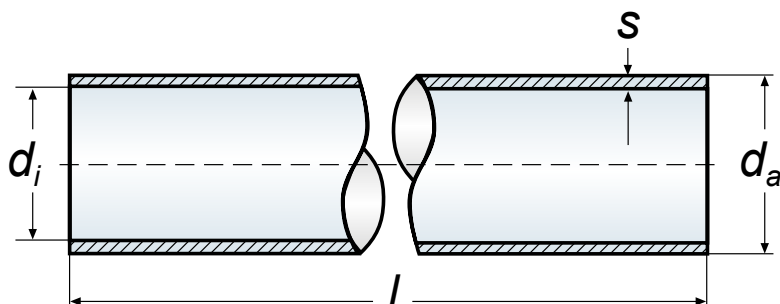




<b>Stahlrohre</b>	<b>EN 10216-1</b>
-------------------	-------------------



bisher  
DIN 2448, DIN 1629

nahtlos, normalwandig

Rohr- außendurchmesser	Wandstärke	Gewicht	Rohr- außendurchmesser	Wandstärke	Gewicht
da	S	kg/m	da	S	kg/m
mm	mm		mm	mm	
10,2	1,6	0,339	165,1	4,5	17,8
13,5	1,8	0,519	<b>168,3</b>	<b>4,5</b>	<b>18,2</b>
16,0	1,8	0,630	171,0	4,5	18,5
<b>17,2</b>	<b>1,8</b>	<b>0,684</b>	177,8	5,0	21,3
19,0	2,0	0,838	191,0	5,4	24,7
20,0	2,0	0,888	193,7	5,6	26
<b>21,3</b>	<b>2,0</b>	<b>0,952</b>	203,0	5,6	27,3
25,0	2,0	1,130	216,0	6,0	31,1
25,4	2,0	1,150	<b>219,1</b>	<b>6,3</b>	<b>33,1</b>
<b>26,9</b>	<b>2,3</b>	<b>1,400</b>	229,0	6,3	34,6
30,0	2,6	1,760	241,0	6,3	36,5
31,8	2,6	1,870	244,5	6,3	37,1
<b>33,7</b>	<b>2,6</b>	<b>1,990</b>	254,0	6,3	38,5
35,0	2,6	2,080	267,0	6,3	40,5
38,0	2,6	2,270	<b>273,0</b>	<b>6,3</b>	<b>41,4</b>
<b>42,4</b>	<b>2,6</b>	<b>2,550</b>	279,0	7,1	47,6
44,5	2,6	2,690	292,0	7,1	49,9
<b>48,3</b>	<b>2,6</b>	<b>2,930</b>	298,5	7,1	51
51,0	2,6	3,100	305,0	7,1	52,2
54,0	2,6	3,300	318,0	7,5	57,4
57,0	2,9	3,870	<b>323,9</b>	<b>7,1</b>	<b>55,5</b>
<b>60,3</b>	<b>2,9</b>	<b>4,110</b>	343,0	8,0	66,1
63,4	2,9	4,330	<b>355,6</b>	<b>8,0</b>	<b>68,6</b>
70,0	2,9	4,800	368,0	8,0	71
73,0	2,9	5,010	394,0	8,8	83,6
<b>76,1</b>	<b>2,9</b>	<b>5,240</b>	<b>406,4</b>	<b>8,8</b>	<b>86,3</b>
82,5	3,2	6,260	419,0	10,0	101
<b>88,9</b>	<b>3,2</b>	<b>6,760</b>	445,0	10,0	107
95,0	3,6	8,110	<b>457,0</b>	<b>10,0</b>	<b>110</b>
101,6	3,6	8,700	470,0	10,5	119
108,0	3,6	9,270	495,0	11,0	131
<b>114,3</b>	<b>3,6</b>	<b>9,830</b>	<b>508,0</b>	<b>11,0</b>	<b>135</b>
121,0	4,0	11,500	521,0	11,5	144
127,0	4,0	12,100	546,0	12,5	164
133,0	4,0	12,700	559,0	12,5	168
<b>139,7</b>	<b>4,0</b>	<b>13,400</b>	572,0	12,5	171
146,0	4,5	15,700	<b>610,0</b>	<b>12,5</b>	<b>184</b>
152,4	4,5	16,400	622,0	13,0	195
159,0	4,5	17,100			